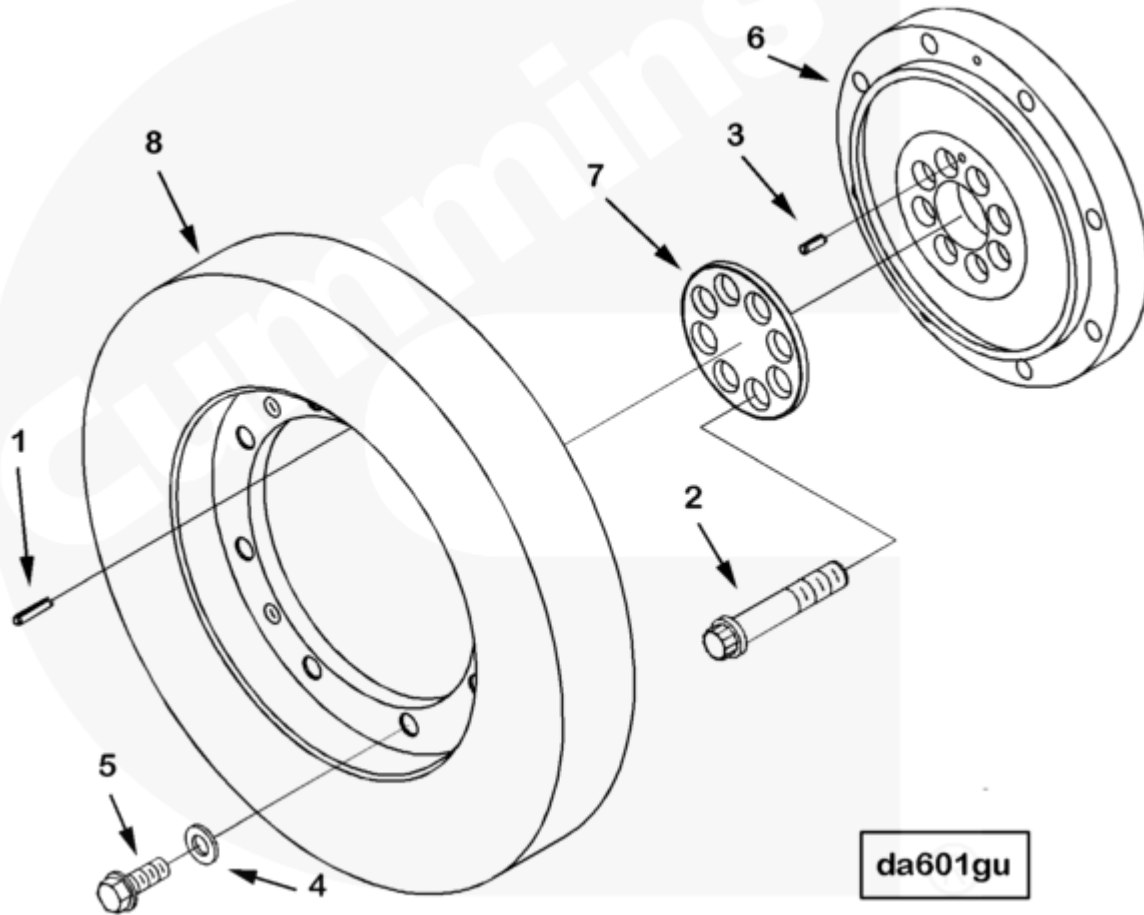




Parts Catalog - Option Detail

Electronic Parts Catalog - Option Detail				
Option	Group	Graphic	Film Card	Date
DA6110	01.02.2	da601gu	K38	31-MAR-97
Engines	GTA38, K38, KTA38GC CM558, QSK38 CM2150 K106, QSK38 CM2150 MCRS, QSK38 CM850 MCRS			

©Cummins Inc



[SMALL](#) | [MEDIUM](#) | [LARGE](#)

Cart	Ref No	Part Number	Part Description	Required	Remarks
<input type="button" value="View My Cart"/>					
		DA6110	Vibration Damper		Single vibration damper with...(More) press fit crankshaft adapter, less crankshaft pulley. For use with remote cooling

					or heat exchanger.
					For use with KT38, KTA38, and
					KTTA38 applications.
<input type="checkbox"/>	1	3033629	Roll Pin	1	
<input type="checkbox"/>	2	3069779	Fracture Resistant Screw	8	3/4 - 16 X 4 Inch.
<input type="checkbox"/>	3	131584	Roll Pin	1	
<input type="checkbox"/>	4	3033626	Plain Washer	8	1/2 in.
<input type="checkbox"/>	5	3034574	Hexagon Flange Head Cap Screw	8	9/16 - 18 x 1 7/16 in.
<input type="checkbox"/>	6	3069776	Crankshaft Adapter	1	
<input type="checkbox"/>	7	3069781	Crankshaft Spacer	1	
<input type="checkbox"/>	8	3628652	Viscous Vibration Damper	1	

© 2019 Cummins Inc., Box 3005, Columbus, IN 47202-3005 U.S.A.
Terms of Use and Disclaimers | Recommended System Requirements
Need Assistance? Please click on the Contact Us button in the top right corner of any page.